



SEAT-DT5512



MADE IN THE
★USA★
WITH PRIDE



Installation Instructions For E-Z-GO TXT 96+

TABLE OF CONTENTS:

- Tools required for Assembly
- Contents of this Kit
- Step 1 – Prepare Car for Installation
- Step 2 – Seat Back Support Installation
- Step 3 – Armrest Installation
- Step 4 – Bumper Angle & Bracket Installation
- Step 5 – Rear Seat Mounting
- Step 6 – Cushion Installation
- Step 7 – Footrest Installation
- Step 8 – Safety Bar Installation

**NOTE: SEAT CUSHIONS ARE SOLD SEPARATELY
AND NOT INCLUDED IN THIS KIT.**

Optional Accessories

Sold Separately



CHAIR HOLDER



BAG WELL COVER



BAG HOLDERS



CUP HOLDERS



STORAGE BIN



SOFT CARGO CARRIER



HEAVY-DUTY LEAF SPRINGS
(Recommended)



CAUTION! SEAT BASE LID

Do not open the seat base lid past 90° before the seat base & seat back cushion have been installed on the car

To prevent potential damage to the seat base lid hinges, install the optional Storage Bin **ONLY AFTER** the rear seat and seat back cushion have been installed on the car.

Tools required for Assembly

- ✓ Phillips head screwdriver.
- ✓ Socket & open-end wrench.
- ✓ Cordless drill with adjustable clutch.
- ✓ Jobber drill set.
- ✓ Rubber mallet (optional).

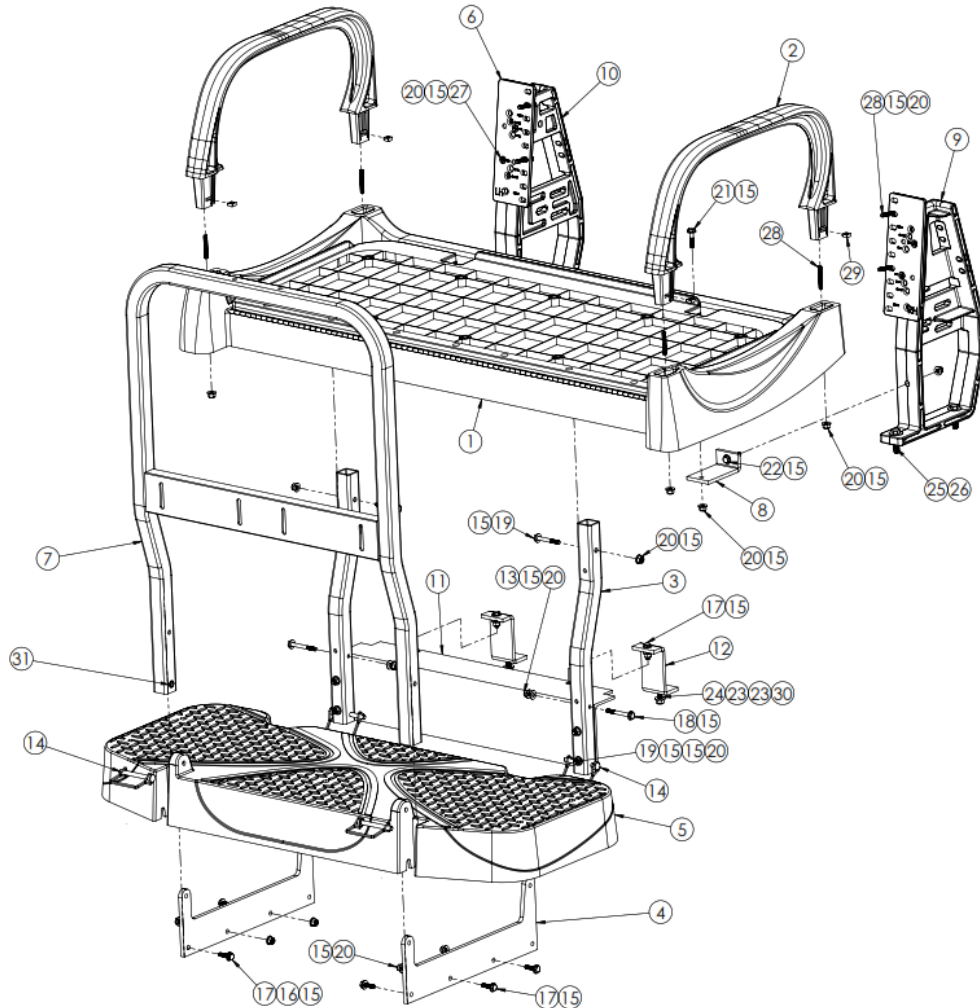
*** WARNING ***

DO NOT use an impact driver for tightening the fasteners in this assembly. Over tightening can damage and/or create physical stresses that will void the manufacturers warranty. Hand tight or #5 setting on a drill clutch is recommended.

Caution:

Please read through the instructions carefully before beginning installation. Installer is responsible for damage if instructions are not followed properly. Look behind each drill or cut location **BEFORE YOU DRILL OR CUT**. Installer is responsible for damage (i.e. drilling/cutting into a wiring harness, battery, fuel tank etc.). Extra installers will be helpful in some parts of the installation. Refer to vehicle's maintenance manual for torquing specifications on reused hardware.
IMPORTANT: Do not fully tighten hardware until instructed.

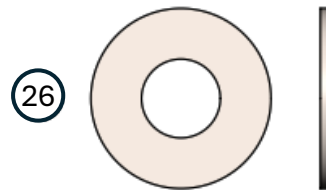
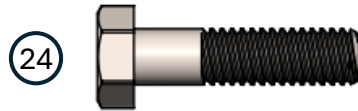
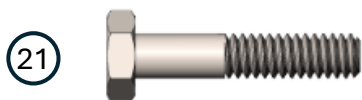
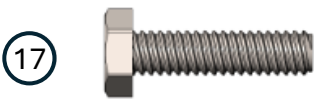
Contents of this kit:



Item #	Part Number	Qty.
1	SEAT-DT5500-SB	1
2	MX5 ARM REST	2
3	SEAT-BL5512-PC	2
4	F/R SUPP BAR	2
5	SEAT-DT5500-FP	1
6	UNIV SPLATE-1	2
7	MX5 SB ASSY PC	1
8	MX5 TX RSKBKTPC	2
9	TX SEAT POST-P	1
10	TX SEAT POST-D	1
11	SEAT-BA5512-PC	1
12	SEAT-BA5512-TPC	2
13	SPACER .285 x .75	2
14	MX5 D RING PIN	4
15	.25 WASHER SS	50
16	.25 LOCK WSH SS	2

Item #	Part Number	Qty.
17	.25 X 1.0 HEXSS	8
18	.25 X 2.25 HEXSS	2
19	.25 X 2.0HEXSS	6
20	.25 NYLOC	30
21	.25 X 1.25 HEXS	2
22	.25 X 1.5HEX SS	2
23	.312 SS WASHER	4
24	.312 X 1.25 SSH	2
25	.375 X 1.5 HSS	4
26	.375 SS WASHER	4
27	.25 X 1.25 FHPS	4
28	.25X1.75 FTSTUD	8
29	.25 SQ. NUT SS	4
30	.312 NYLOC NUT	2
31	.25X.58 RIV-NUT	2

Contents of this kit: (Continued)
Scale Hardware Guide 1:1

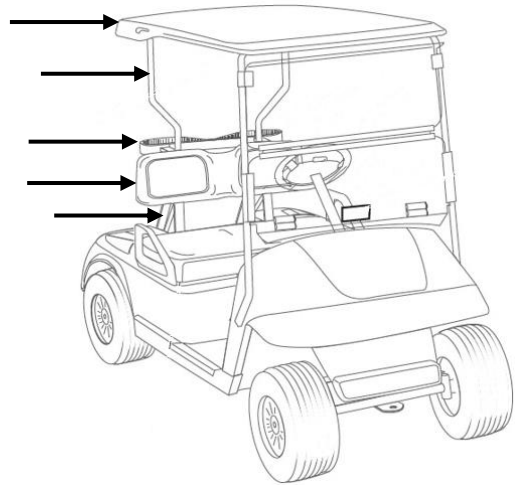


STEP (1) PREPARE CAR FOR INSTALLATION

Remove the following items to prepare the car for Rear Seat Kit Installation:

- Top
- Rear Top Supports / Drain Tubes
- Rear Basket / Bag Rack Assembly
- Bench Back Cushion
- Factory Seat Back Supports.

NOTE: Save and separate factory hardware for later use.

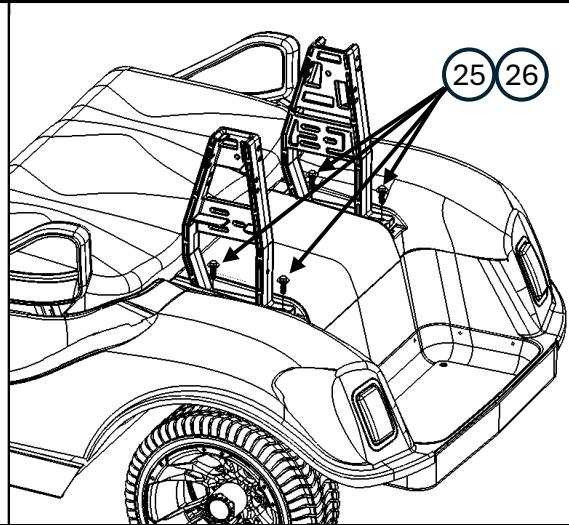


STEP (2) SEAT BACK SUPPORTS INSTALLATION

Install the supplied seat back supports as shown using **3/8" x 1.5" bolts** and **3/8" washers**.

Fasteners located in MXEX TX HW-V.

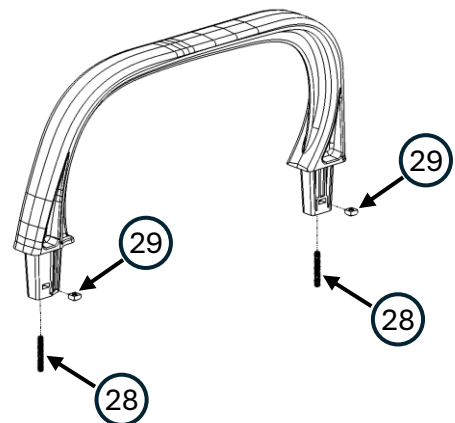
NOTE: Fully tighten Bolts.



STEP (3.1) ARMREST INSTALLATION

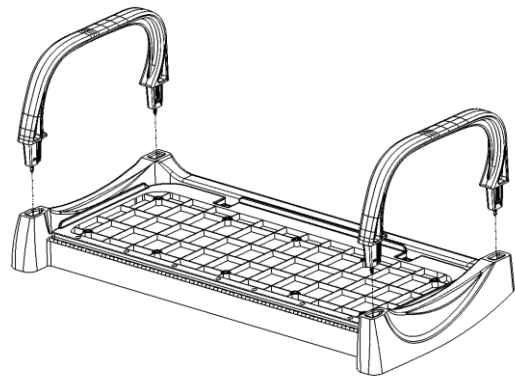
Prepare the armrests by inserting **1/4" square nuts** into the slots on both ends of each armrest and thread a **1/4" x 1.75" long stud** through the nut until it stops.

Fasteners located in Pack #1 of SEAT-DT5500-HW.



STEP (3.2)

Insert the prepped Armrests into the seat base assembly as shown and tap them down until they stop.

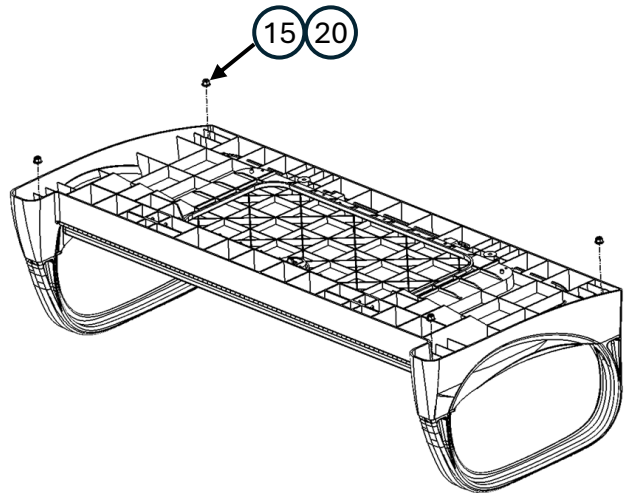


STEP (3.3)

Flip the assembly over onto a blanket or cardboard to prevent scratching the top of the armrests. Insert a **1/4" washer** and **1/4" nyloc nut** onto the end of each stud.

Fasteners located in Pack #1 of SEAT-DT5500-HW.

NOTE: Tighten nuts hand tight until armrests are fully seated.

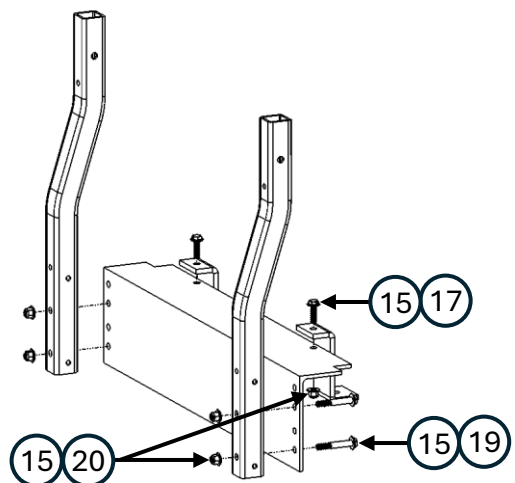


STEP (4.1) BUMPER LEG & ANGLE INSTALLATION FOR TXT 96-2013

Attach the bumper legs to the bumper angle with **1/4" x 2" bolts**, **1/4" washers** and **1/4" nyloc nuts** through the holes as shown. Attach the bumper tabs to the bumper angle with **1/4" x 1" bolts**, **1/4" washers** and **1/4" nyloc nuts** through the holes as shown.

Fasteners located in Pack #2 of SEAT-DT5500-HW.

NOTE: DO NOT fully tighten.

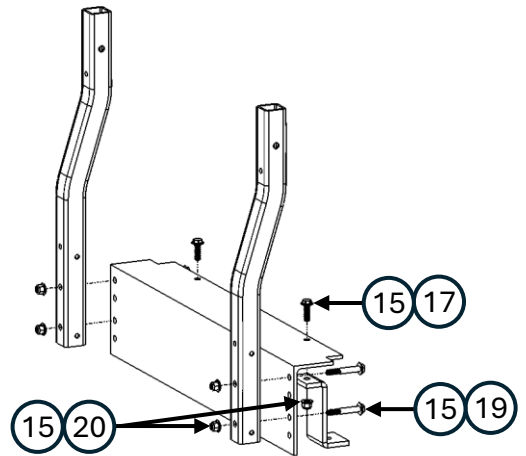


STEP (4.2) BUMPER LEG & ANGLE INSTALLATION FOR TXT 2014+

Attach the bumper legs to the bumper angle with **1/4" x 2" bolts**, **1/4" washers** and **1/4" nyloc nuts** through the holes as shown. Attach the bumper tabs to the bumper angle with **1/4" x 1" bolts**, **1/4" washers** and **1/4" nyloc nuts** through the holes as shown.

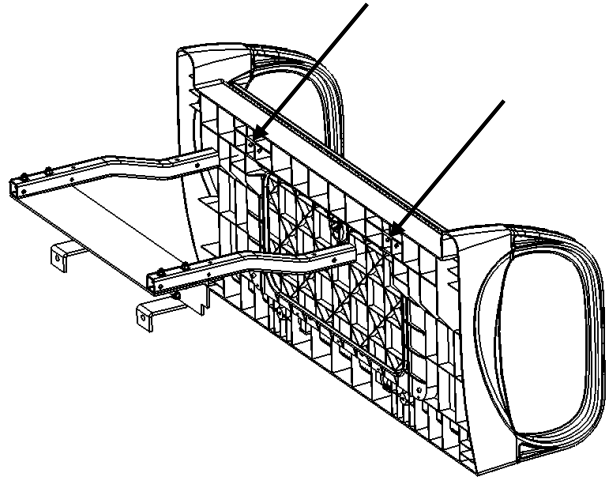
Fasteners located in Pack #2 of SEAT-DT5500-HW.

NOTE: DO NOT fully tighten.



STEP (4.3)

Insert each leg into the square sockets on the bottom of the seat base as shown. Make sure the bumper angle is pointing down.

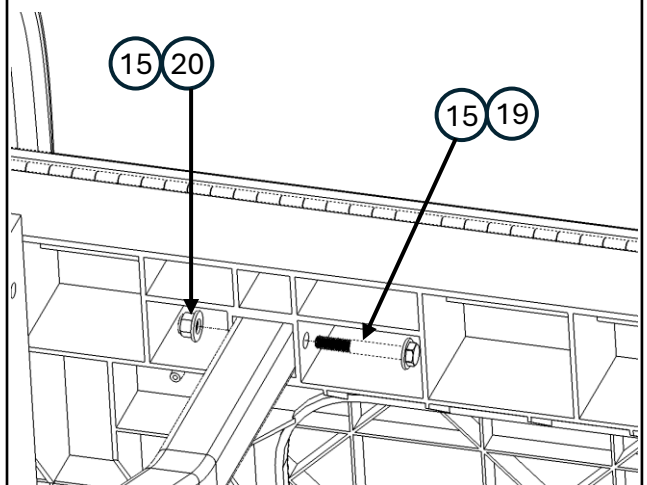


STEP (4.4)

Attach the bumper legs to the seat base with **1/4" x 2" bolts**, **1/4" washers** and **1/4" nyloc nuts** through the holes as shown. Repeat on the other side.

Fasteners located in Pack #2 of SEAT-DT5500-HW.

NOTE: DO NOT fully tighten.



STEP (4.5) ATTACH FRONT BRACKETS FOR TXT 96-2013

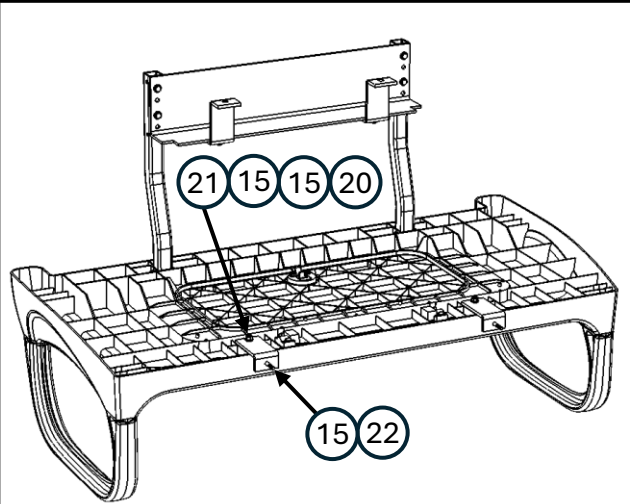
Flip the assembly back over onto a blanket or cardboard and attach the 2 front brackets to the seat base with **1/4" x 1.25" bolts**, **1/4" washers** and **1/4" nyloc nuts** through the holes as shown.

Fasteners located in Pack #2 of SEAT-DT5500-HW.

Make sure to insert a **1/4" x 1.5" bolt** and **1/4" washer** through the front hole before loosely tightening.

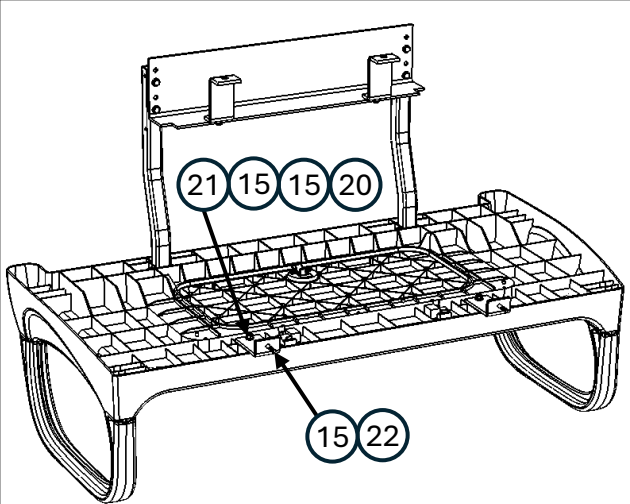
Fasteners located in MXEX TX HW-V.

NOTE: DO NOT fully tighten.



STEP (4.6) ATTACH FRONT BRACKETS FOR TXT 2014+

For year 2014 and later, the bracket should be flipped in the opposite direction.

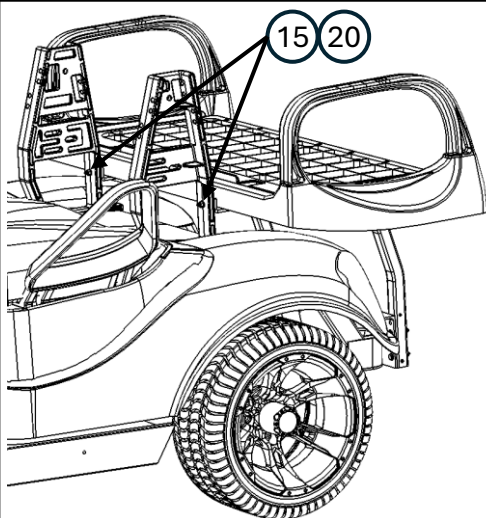


STEP (5.1) REAR SEAT MOUNTING

Position the rear seat on the back of the car with the tabs on the bumper angle inside the cars bag well. Feed the bolts in the front brackets through the holes in the seat back supports and use **1/4" washers** and **1/4" nyloc nuts** to fasten as shown.

Fasteners located in MXEX TX HW-V.

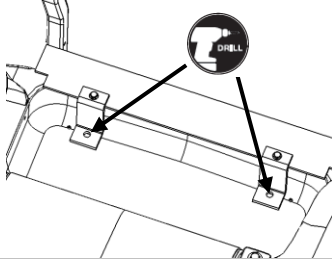
NOTE: DO NOT fully tighten.



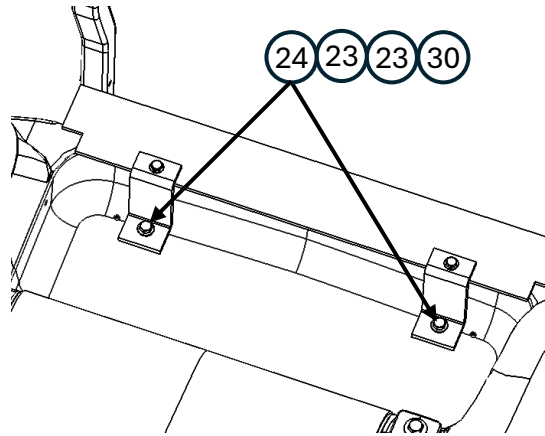
STEP (5.2)

Center bumper angle on the back of the golf car and make sure the tabs are square. Using a $3/8$ " drill bit, chase drill through the bag well and frame using the holes in the bumper tabs. Then fasten with $5/16$ " x 1.25 " bolt, $5/16$ " washers and $5/16$ " nyloc nuts.

Fasteners located in MXEX TX HW-V.



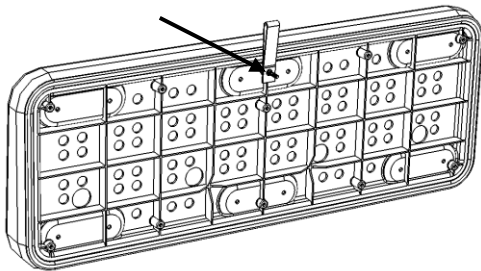
NOTE: DO NOT fully tighten.



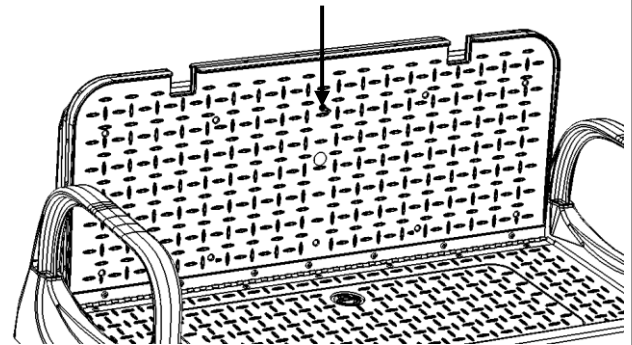
STEP (6.1) CUSHION INSTALLATION

Prepare the $2/1$ seat bottom cushion by threading the **temporary stud** into the center hole indicated (*This is the thinner part of the cushion*). Then, slip the $2/1$ strap over the stud.

Fasteners located in MX5 CUSH HW-V.



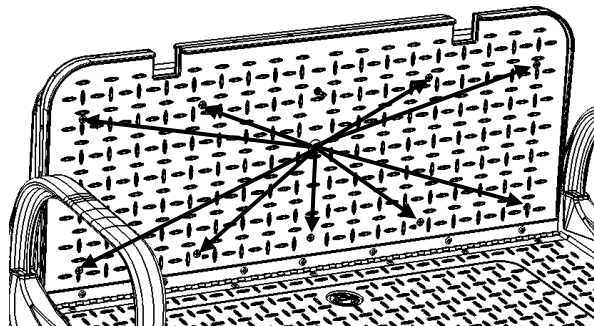
Angle the flip portion of the seat base upright 90 degrees and insert the temporary stud into the top center hole for alignment.



STEP (6.2)

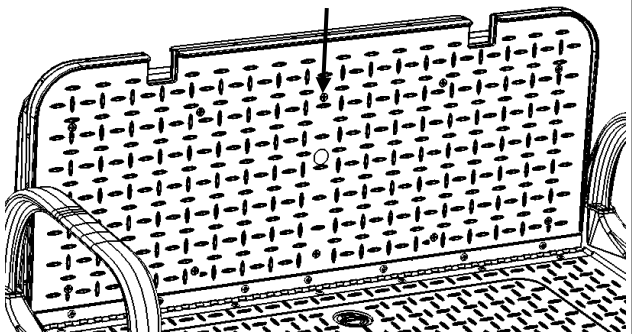
Hand thread $1/4$ " x 1.5 " Flat head screws into all 4 corners first, then the remaining vacant holes. Hand tighten.

Fasteners located in MX5 CUSH HW-V.



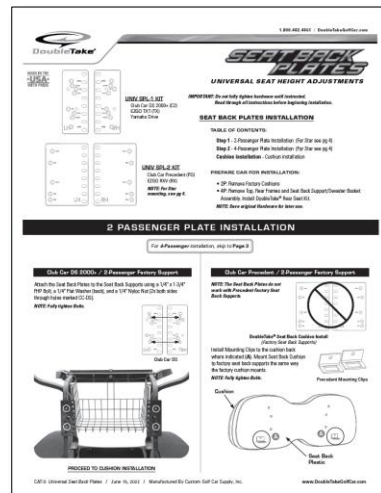
Then replace the temporary stud with a $1/4$ " x 1.5 " Flat head screw.

NOTE: Using a power tool to start the threads may damage or lock threads.



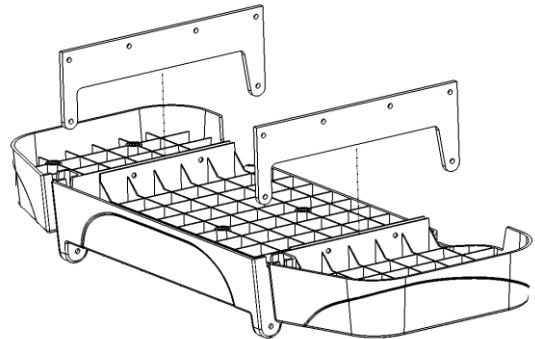
STEP (6.3)

Install the seat back cushion by following the instructions **CAT-3 Univ Seat Back Plates** supplied in the **UNIV SPL 1 KIT**.



STEP (7.1) FOOTREST INSTALLATION

Flip the footrest over onto a blanket or cardboard to prevent scratching. Insert the aluminum footrest supports in the plastic slots as shown.

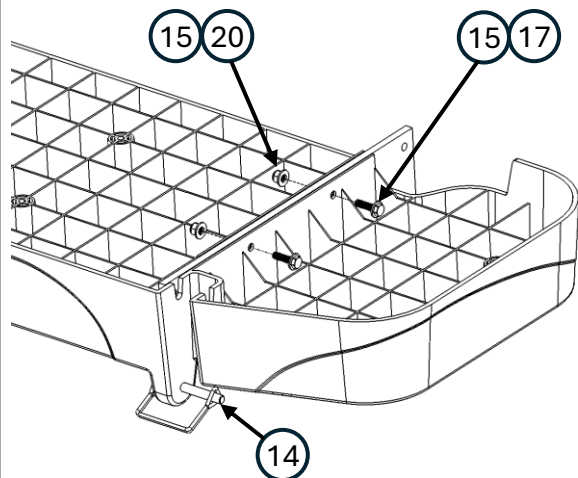


STEP (7.2)

First, insert a **D-ring Pin** through the plastic holes in the footrest and each footrest support for proper alignment. Then, insert **1/4" x 1" bolts, 1/4" washers** and **1/4" nyloc nuts** through the two holes on each side.

Fasteners located in Pack #3 of SEAT-DT5500-HW.

NOTE: Fully hand tighten Bolts.



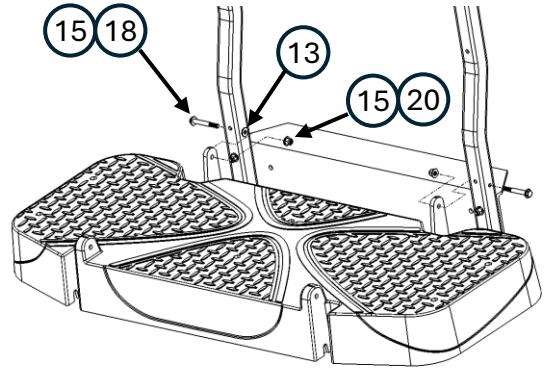
STEP (7.3)

Attach the assembled footrest to the bumper legs with **1/4" x 2.25" bolts**, **1/4" washers**, **1/4" plastic washers** and **1/4" nyloc nuts** through the holes as shown. Make sure the **1/4" plastic washers** are placed between the bumper legs and footrest supports.

Fasteners located in Pack #3 of SEAT-DT5500-HW.

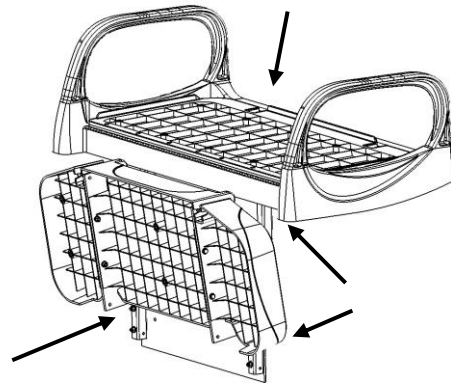
NOTE: Fully hand tighten Bolts.

Some images are simplified for clarity.



STEP (7.4)

At this time, go back and hand tighten all bolts that were previously left loose.

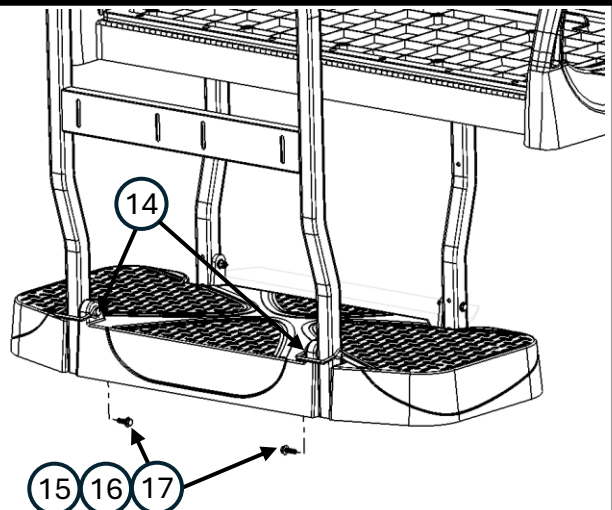


STEP (8.1) SAFETY BAR INSTALLATION

Position the lower ends of the safety bar in footrest slots as shown and insert **D-Ring pins** through both for alignment. Then fasten the bottom of the tubes with **1/4" x 1.0" bolts**, **1/4" washers** and **1/4" lock washers**.

Fasteners located in Pack #4 of SEAT-DT5500-HW.

NOTE: Fully hand tighten Bolts.



STEP (8.2)

Insert a **D-ring Pin** through both bottom holes of the bumper legs and footrest supports. These should remain installed for normal operation and only be removed for the loading and unloading the golf car on a truck or trailer.

Fasteners located in Pack #3 of SEAT-DT5500-HW.

INSTALLATION IS NOW COMPLETE!
PLEASE ENJOY SAFELY!

